

---

Load Chart 30102C - w/Out-Down Outriggers

# Load Rating Chart

## Model 30102C & 30102T

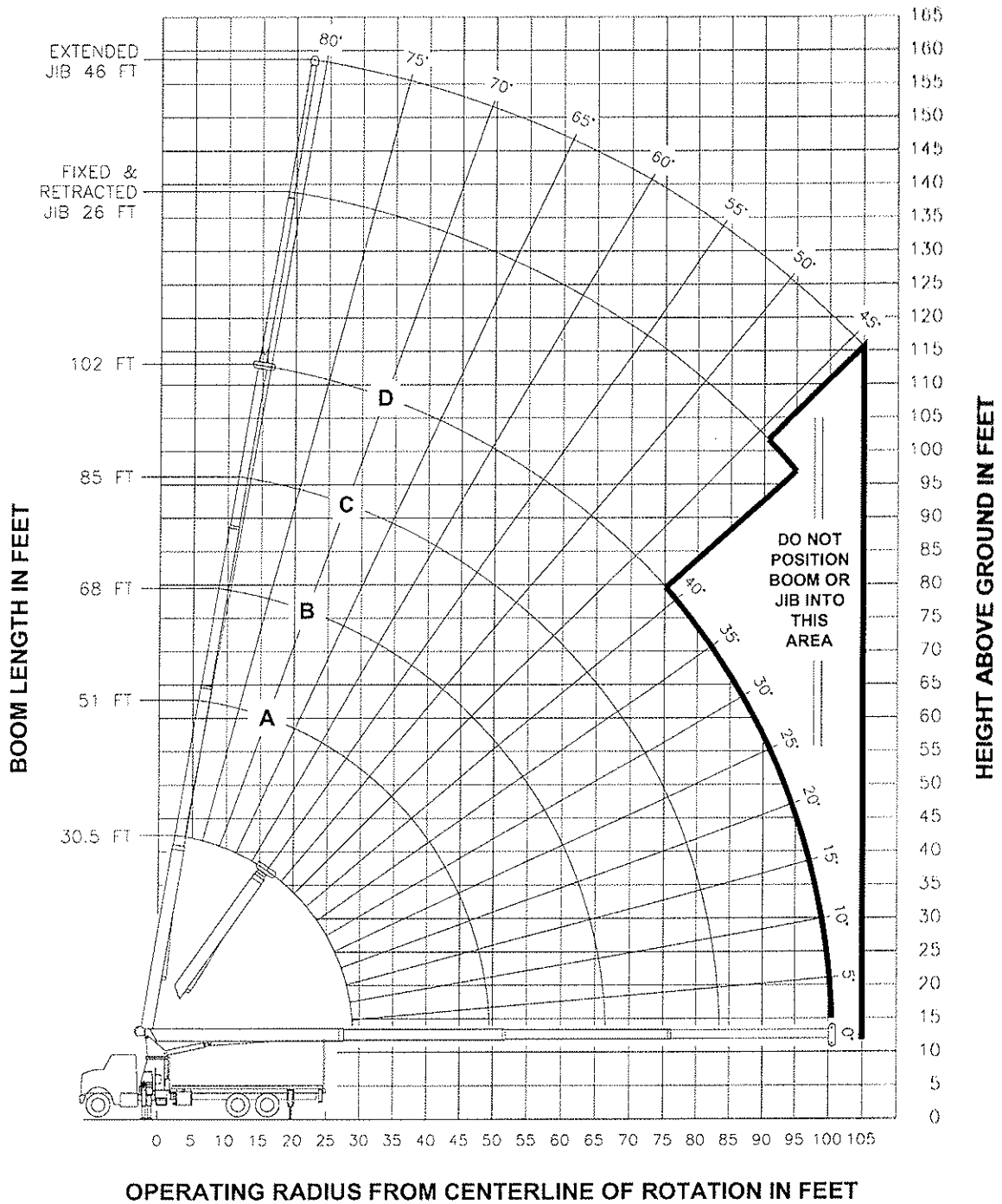


© Manitex

NOTE: Additional copies of this Load Rating Chart can be purchased from your Manitex Distributor. When ordering, use the part number shown in the bottom left corner of this page.

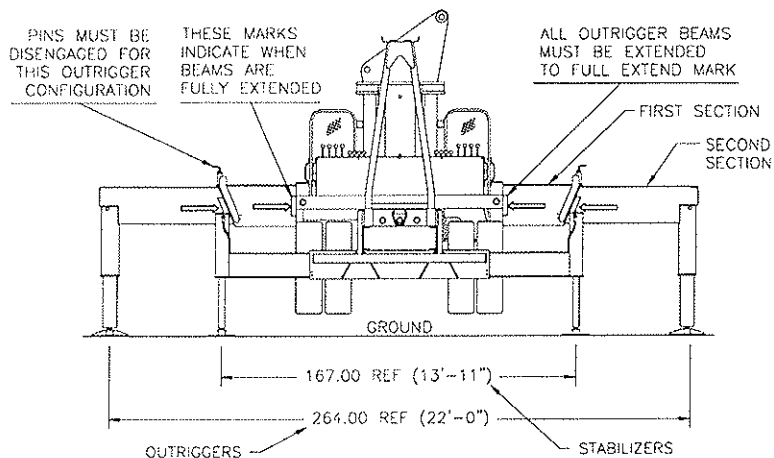
7300096-002 NR

### RANGE DIAGRAM - FULL SPREAD CONFIGURATION -



7300096-002 NR

**USE THIS CHART ONLY  
WHEN OUTRIGGERS  
AND STABILIZERS ARE  
FULLY EXTENDED**

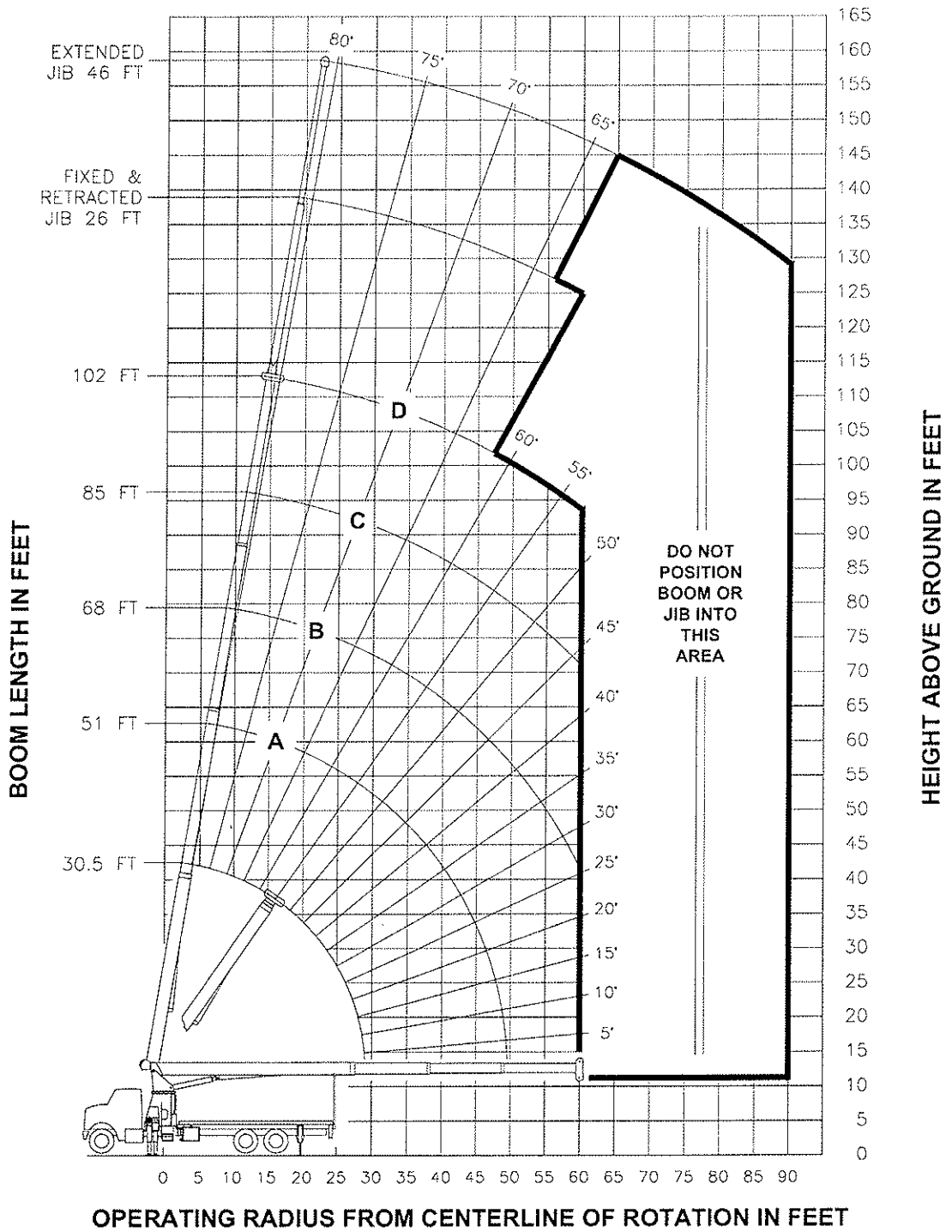


**- FULL SPREAD CONFIGURATION -**

MAIN BOOM LOAD RATINGS IN LBS WITH OUTRIGGERS AND STABILIZERS PLACED AS SHOWN AND THE CRANE LEVEL					JIB LOAD RATINGS IN LBS WITH OUTRIGGERS AND STABILIZERS PLACED AS SHOWN AND THE CRANE LEVEL					
OPERATING HEIGHT	LMI CODE #1				OPERATING HEIGHT	FIXED JIB		TELESCOPIC JIB		
	LMI CODE #1					LMI CODE #2	LMI CODE #3	LMI CODE #4		
	BOOM ANGLE	BOOM LENGTH	AND MARKER			BOOM ANGLE	JIB LENGTH FOR ALL BOOM LENGTHS SEE WARNING NOTE 4	BOOM ANGLE	JIB LENGTH FOR ALL BOOM LENGTHS SEE WARNING NOTE 4	BOOM ANGLE
30.5 FT	51 FT	68 FT	85 FT	102 FT	26 FT	26 FT	46 FT			
5	80	60000								
8	75	39690								
10	71	33510	79	22500						
12	67	29120	77	22500						
15	60	24440	73	21710	79	20590				
20	48	19280	67	16910	74	15830	78	14420	81	10500
25	33	15480	61	13850	70	12840	75	12180	78	9650
30			54	11700	65	10770	72	10140	76	8670
35			47	9680	60	9240	68	8640	73	7670
40			38	7460	55	7660	64	7490	70	6490
45			27	5880	50	6090	60	6190	66	5590
50					43	4900	56	5010	63	4860
55					36	3980	51	4090	60	4160
60					28	3250	47	3360	56	3420
65					15	2630	41	2760	53	2820
70							36	2260	49	2320
75							29	1830	45	1900
80							19	1460	40	1530
85									36	1220
90									29	940
95									22	690
100										
105										
		490 LBS	290 LBS	220 LBS	180 LBS	150 LBS	DEDUCTIONS FOR STOWED FIXED JIB			
		730 LBS	440 LBS	330 LBS	260 LBS	220 LBS	DEDUCTIONS FOR STOWED TELESCOPIC JIB			

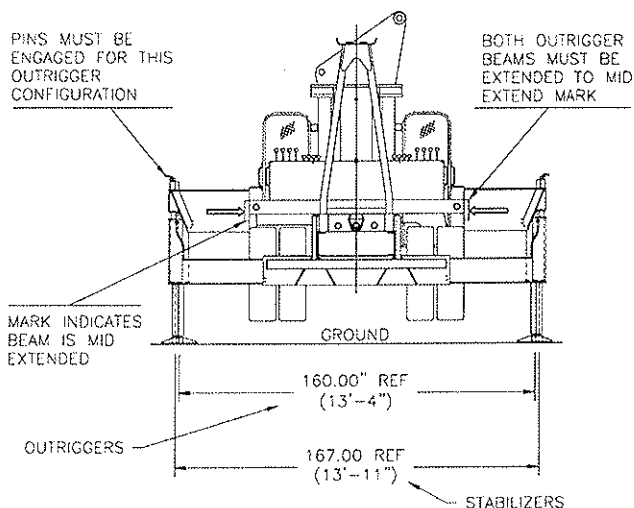
7300096-002 NR

### RANGE DIAGRAM - INTERMEDIATE SPREAD CONFIGURATION - (MID EXTEND)



7300096-002 NR

**USE THIS CHART ONLY WHEN FRONT OUTRIGGERS ARE IN THE INTERMEDIATE POSITION AND STABILIZERS ARE FULLY EXTENDED**

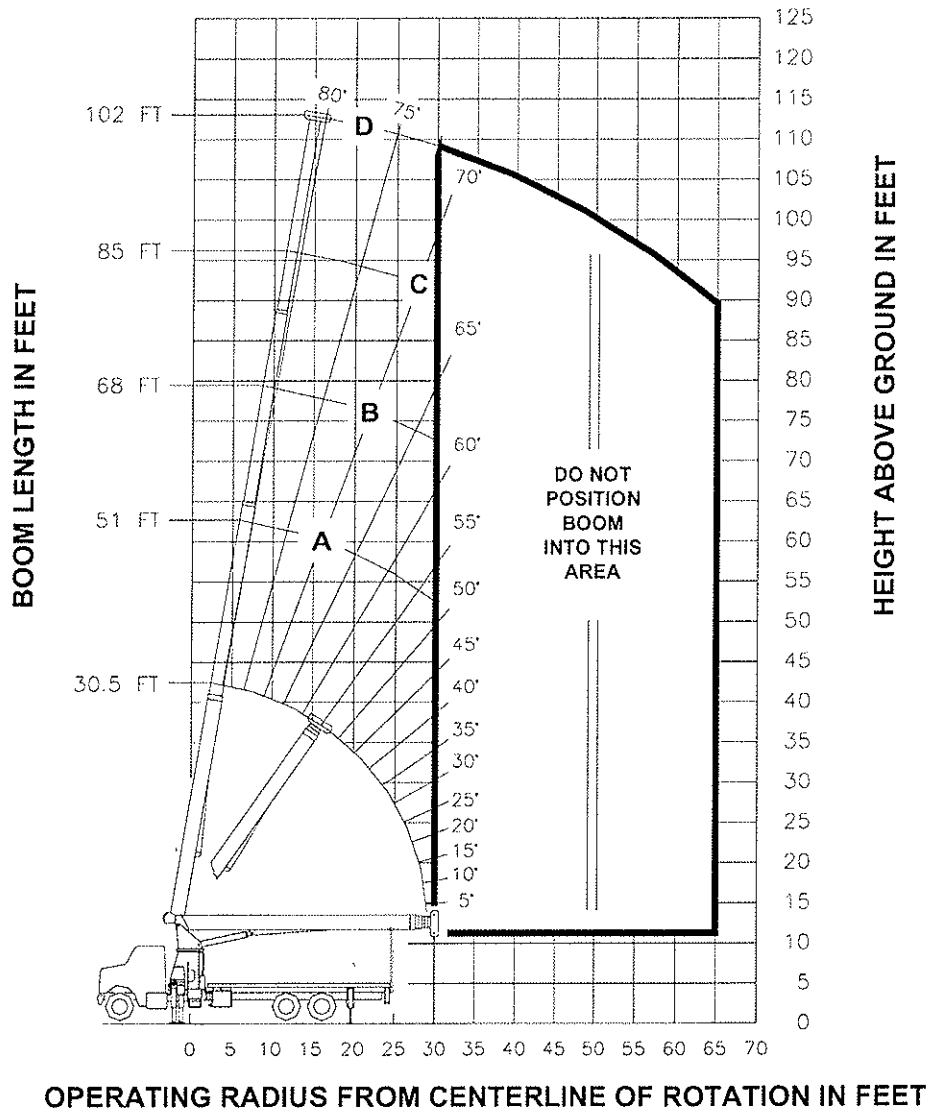


**- INTERMEDIATE SPREAD CONFIGURATION - (MID EXTEND)**

MAIN BOOM LOAD RATINGS IN LBS WITH OUTRIGGERS AND STABILIZERS PLACED AS SHOWN AND THE CRANE LEVEL										JIB LOAD RATINGS IN LBS WITH OUTRIGGERS AND STABILIZERS PLACED AS SHOWN AND THE CRANE LEVEL								
LMI CODE #9										FIXED JIB		TELESCOPIC JIB						
OPERATING RADIUS FT	LOADED BOOM ANGLE		BOOM LENGTH AND MARKER								OPERATING RADIUS FT	BOOM ANGLE	JIB LENGTH FOR ALL BOOM LENGTHS SEE WARNING NOTE 4	BOOM ANGLE	JIB LENGTH FOR ALL BOOM LENGTHS SEE WARNING NOTE 4	BOOM ANGLE	JIB LENGTH FOR ALL BOOM LENGTHS SEE WARNING NOTE 4	
	30.5 FT	51 FT	68 FT	85 FT	102 FT	LMI CODE #10	LMI CODE #11	LMI CODE #12										
	A	B	C	D														
5	80	60000																
8	75	39690																
10	71	33510	79	22500						10								
12	67	29120	77	22500						12								
15	60	21160	73	21710	79	20590				15								
20	48	11760	67	12330	74	12520	78	12640	81	10500	20							
25	33	7460	61	8020	70	8200	75	8300	78	8370	25	81	5300	81	5100			
30			54	5550	65	5720	72	5820	76	5880	30	79	5300	79	5100	81	3050	
35			47	3950	60	4120	68	4220	73	4280	35	77	4360	77	4060	79	3050	
40			38	2830	55	3000	64	3090	70	3150	40	75	3230	75	2920	77	3050	
45			27	1990	50	2170	60	2260	66	2320	45	72	2390	72	2090	76	2590	
50					43	1530	56	1620	63	1680	50	70	1750	70	1440	74	1940	
55					36	1020	51	1120	60	1170	55	68	1240	68	930	72	1420	
60					28	600	47	700	56	760	60	65	830	65	520	70	1000	
65											65					68	650	
70											70							
		490 LBS		290 LBS		220 LBS		180 LBS		150 LBS	DEDUCTIONS FOR STOWED FIXED JIB							
		730 LBS		440 LBS		330 LBS		260 LBS		220 LBS	DEDUCTIONS FOR STOWED TELESCOPIC JIB							

7300096-002 NR

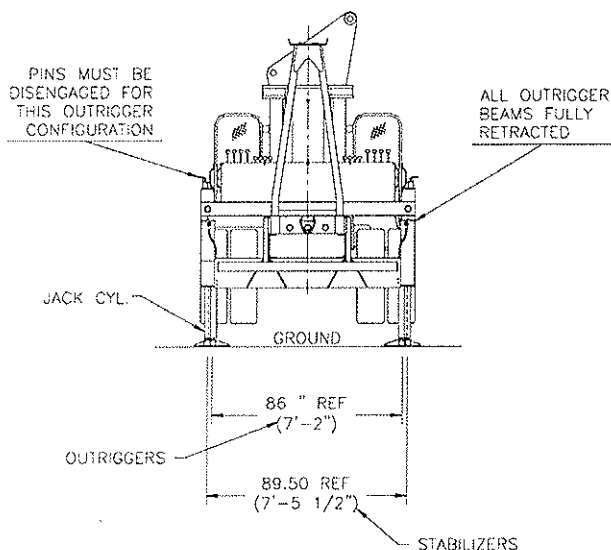
### RANGE DIAGRAM - FULLY RETRACTED SPREAD CONFIGURATION -



**NOTE :** LIFTING PERSONNEL WITH CRANE IN THIS OUTRIGGER CONFIGURATION IS STRICTLY PROHIBITED. USE ONLY FULLY EXTENDED OUTRIGGER CONFIGURATION WHEN LIFTING PERSONNEL.

7300096-002 NR

**USE THIS CHART  
ONLY WHEN  
OUTRIGGERS AND  
STABILIZERS ARE  
FULLY RETRACTED**

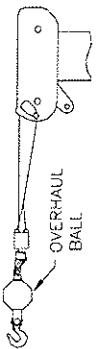
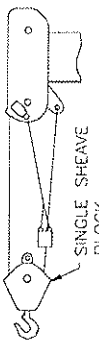
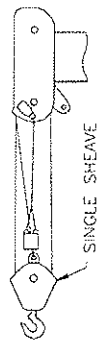



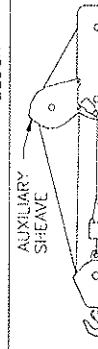


**- FULLY RETRACTED SPREAD CONFIGURATION -**

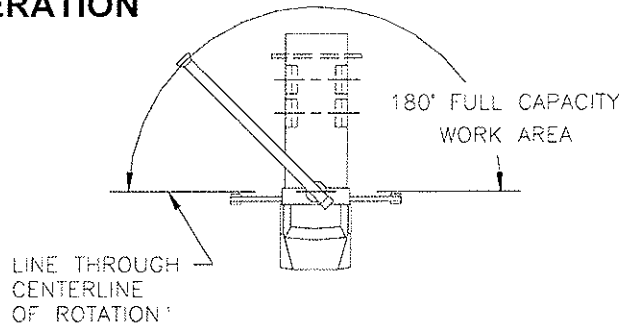
MAIN BOOM LOAD RATINGS IN LBS WITH OUTRIGGERS AND STABILIZERS PLACED AS SHOWN AND THE CRANE LEVEL										
LMI CODE #13										
OPERATING RADIUS	LOADED BOOM ANGLE		BOOM LENGTH AND MARKER							
	30.5 FT	60 FT	51 FT	68 FT	85 FT	102 FT				
5	80	60000								
8	75	22630								
10	71	14380	79	14940						
12	67	10060	77	10570						
15	60	6410	73	6890	79	7050				
20	48	3280	67	3740	74	3890	78	3980	81	4040
25	33	1590	61	2060	70	2210	75	2290	78	2350
30			54	1010	65	1160	72	1240	76	1300
		490 LBS	290 LBS	220 LBS	180 LBS	150 LBS	DEDUCTIONS FOR STOWED FIXED JIB			
		730 LBS	440 LBS	330 LBS	260 LBS	220 LBS	DEDUCTIONS FOR STOWED TELESCOPIC JIB			

**NO JIBS ARE TO BE ERECTED IN THIS OUTRIGGER CONFIGURATION**

7300096-002 NR

<b>ALLOWABLE LINE PULL</b>							<b>WARNING</b>
1 PART LINE	2 PART LINE	3 PART LINE	4 PART LINE	5 PART LINE	6 PART LINE	7 PART LINE	
							ANTI-TWO-BLOCK SYSTEM MUST BE IN GOOD OPERATING CONDITION BEFORE OPERATING CRANE.  REFER TO THE OWNER'S MANUAL.  KEEP AT LEAST 3 WRAPS OF LOAD LINE ON THE DRUM AT ALL TIMES.
8500 LBS	17000 LBS	25500 LBS	34000 LBS	42500 LBS	51000 LBS	60000 LBS	9/16" 6X25 IWRC (3.5:1 SF) - 29750 LBS MIN BREAKING STRENGTH
7400 LBS	14800 LBS	22200 LBS	29600 LBS	37000 LBS	44400 LBS	51800 LBS	9/16" ROT RESISTANT (5.0:1 SF) - 37000 LBS MIN BREAKING STRENGTH

### AREA OF OPERATION



### DEDUCTIONS FROM RATED LOADS FOR LOAD HANDLING DEVICES SUPPLIED BY MANITEX

AUXILIARY BLOCK	---	---	---	---	---	---	---	---	---	---	---	50 LBS
AUXILIARY SHEAVE	---	---	---	---	---	---	---	---	---	---	---	50 LBS
OVERHAUL BALL	---	---	---	---	---	---	---	---	---	---	---	SEE OVERHAUL BALL MANUFACTURER NAMEPLATE
LOAD BLOCK	---	---	---	---	---	---	---	---	---	---	---	SEE BLOCK MANUFACTURER NAMEPLATE
HOSE REEL	---	---	---	---	---	---	---	---	---	---	---	140 LBS
SWING AROUND JIB	---	---	---	---	---	---	---	---	---	---	---	SEE LOAD CHART

7300096-002 NR