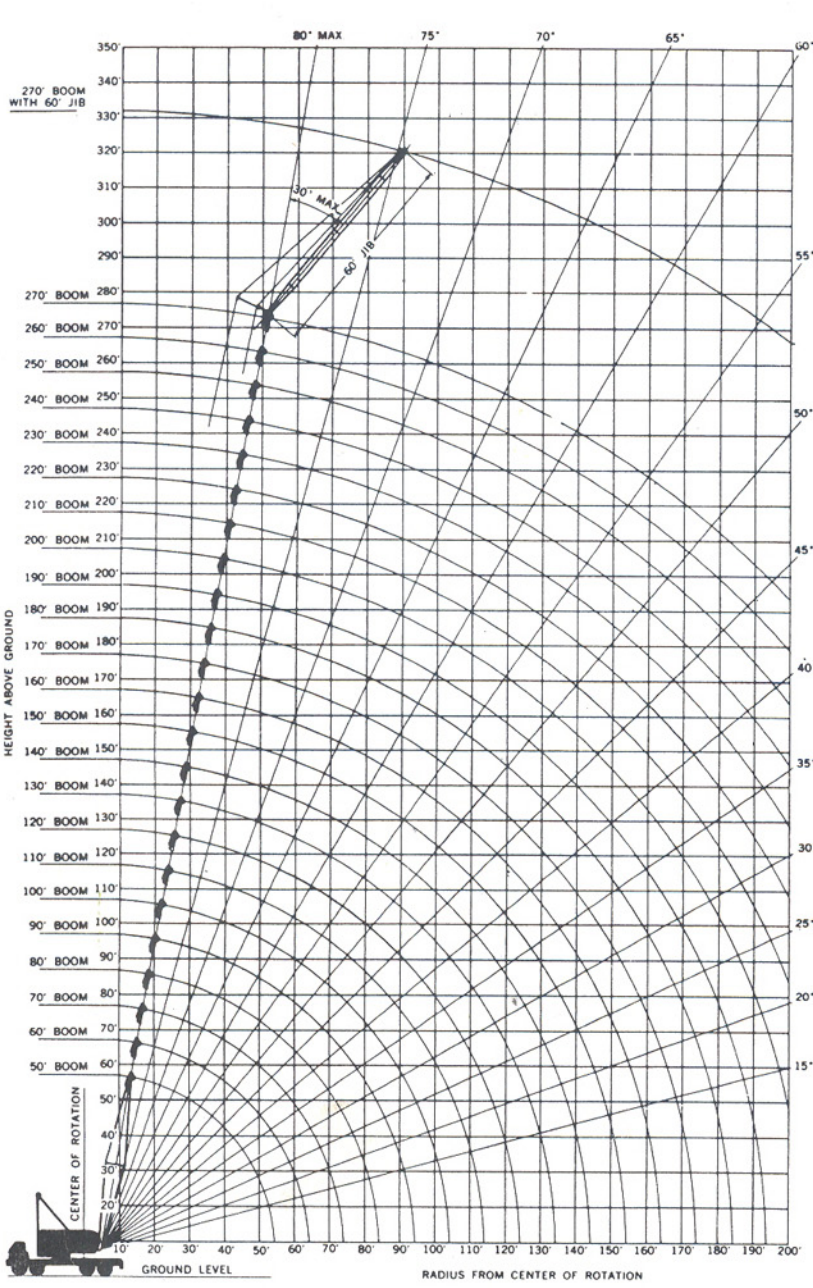


P&H[®] 9125-TC

140-ton Truck Crane 270' boom, 60' jib



7' 2" (APPROX)
2, 3 & 5 PARTS
HOIST LINE



5' 2" (APPROX)
2 & 3 PARTS
HOIST LINE



3'-3" 39" MAGNET
3'-9" 45" MAGNET

Your versatile P & H 9125-TC adapts readily to your special operating needs through a choice of counterweights and boom tips. This brochure contains these crane rating charts:

Heavy and Light Duty Tapered Tip Boom:

1. 41,000 lbs. counterweight — on outriggers
50 to 250 foot boom lengths
2. 41,000 lbs. counterweight — on rubber
50 to 130 foot boom lengths
3. 41,000 lbs. counterweight plus 14,000 lbs.
front bumper counterweight — special
over-rear on rubber — for "tilt-up" work
50 to 100 foot boom lengths
4. 62,000 lbs. counterweight — on outriggers
50 to 270 foot boom lengths
5. 62,000 lbs. counterweight plus 14,000 lbs.
front bumper counterweight — over-rear
only — on outriggers — for heavy rigging
50 to 180 foot boom lengths

Special Container Tip Boom:

6. 62,000 lbs. counterweight — on outriggers
120 to 160 foot boom lengths

Hammerhead Tip Boom:

7. 41,000 lbs. counterweight — on outriggers
40 to 180 foot boom lengths
8. 62,000 lbs. counterweight — on outriggers
40 to 180 foot boom lengths
9. 41,000 lbs. counterweight — on rubber
40 to 130 foot boom lengths

Jib Ratings

All boom combinations except container

**Standard
69" wide x 69" deep
Boom**

crane

**lifting capacities
working ranges**

P&H 9125-TC

the nine charts in this brochure illustrate the range and lifting prowess that has made the 9125-TC the "standard of the industry", the most widely used crane in its class

PCSA CLASS 12-613

1 rated crane loads in pounds — main boom (69" w. x 69" d.) in over side

Oper. Rad. Ft.	Angle	50 Ft. Boom		60 Ft. Boom		70 Ft. Boom		80 Ft. Boom		90 Ft. Boom		100 Ft. Boom		110 Ft. Boom		120 Ft. Boom			
		Boom Pt. El.	Rating Lbs.	Boom Pt. El.	Rating Lbs.	Boom Pt. El.	Rating Lbs.	Boom Pt. El.	Rating Lbs.	Boom Pt. El.	Rating Lbs.	Boom Pt. El.	Rating Lbs.	Boom Pt. El.	Rating Lbs.	Boom Pt. El.	Rating Lbs.		
12	81	58.0	280,000																
15	78	57.5	210,500	80	67.6	196,000	RATINGS ABOVE HEAVY LINE ARE LIMITED BY FACTORS OTHER THAN STABILITY.										RATINGS AT 20 FT. OPERATING RADIUS OR LESS REQUIRES THE USE OF 25 FT. TIP SECTION WITH 5 SHEAVES.		
20	72	56.2	165,200	75	66.6	164,900	77	76.8	164,600										
25	66	54.3	127,000	70	65.1	127,300	73	75.6	127,300	75	85.8	127,200	77	96.3	127,100	78	106.5	127,000	
30	60	52.0	94,200	65	63.1	94,500	69	74.1	94,400	71	84.2	94,300	73	94.6	94,100	75	104.2	94,000	
35	53	48.6	74,500	59	60.1	74,800	64	71.6	74,700	67	82.2	74,600	70	93.1	74,400	72	103.8	74,200	
40	45	44.0	61,300	54	57.1	61,600	59	68.6	61,400	64	80.6	61,300	67	91.5	61,100	69	102.1	60,900	
45	36	37.0	51,800	47	52.5	52,200	55	66.0	52,000	59	77.2	51,900	63	88.8	51,700	66	100.1	51,500	
50	24	28.0	44,600	40	48.2	44,900	49	61.4	44,700	55	74.1	44,600	60	86.6	44,400	63	97.7	44,200	
60				22	30.9	34,900	37	50.6	34,600	46	66.1	34,500	52	79.6	34,300	56	91.5	34,100	
70							20	33.4	28,000	35	54.4	27,800	43	70.0	27,600	49	84.1	27,500	
80										19	34.4	23,600	32	58.0	23,400	41	74.1	23,100	
90												17	35.8	19,800	31	59.9	19,500		
100															17	37.5	16,600		
110																16	38.8	14,200	
120																		15	
130																			15
140																			
150																			
160																			
170																			
180																			
190																			
200																			

WARNING: MAXIMUM RATING FOR 35 FT. 3 SHEAVE TIP IS 150,000 LBS.

WARNING: WHEN BOOM IS EQUIPPED WITH JIB, MAIN HOOK RATING MUST BE REDUCED TO COMPENSATE FOR JIB ATTACHMENT WEIGHT.

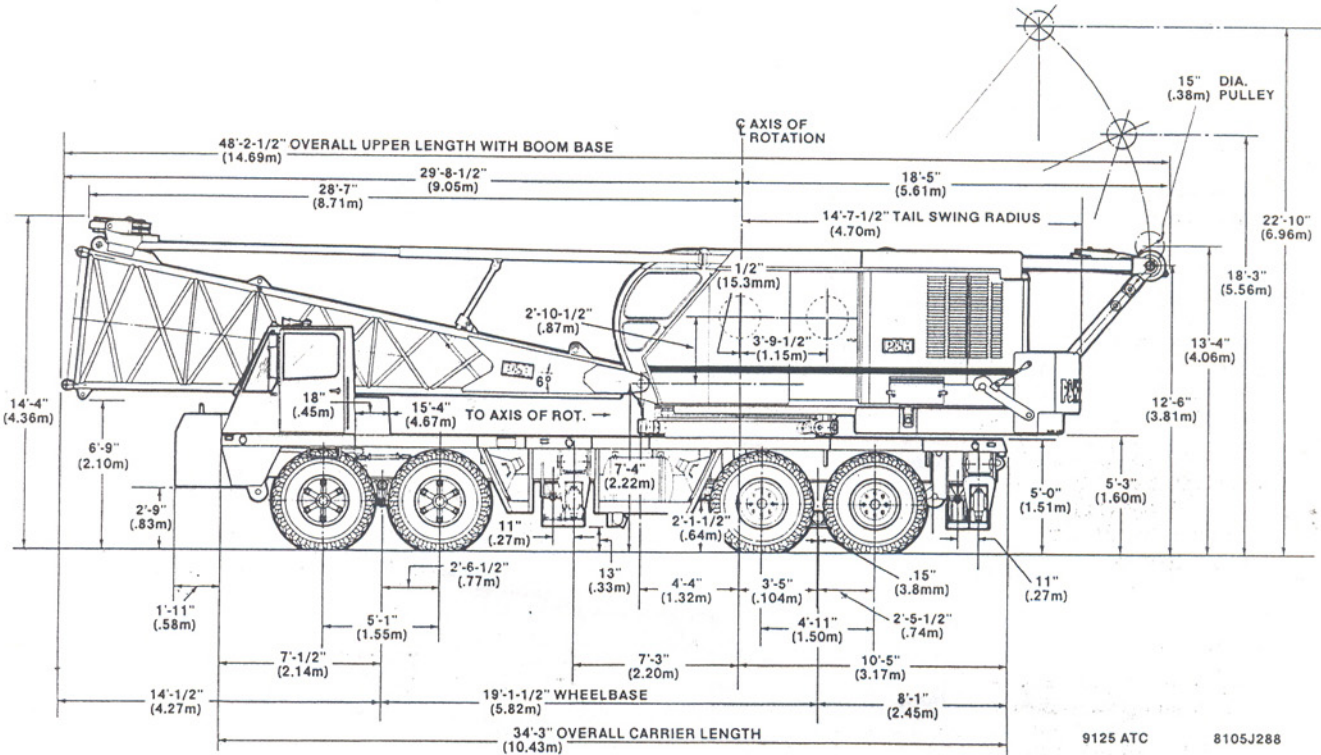
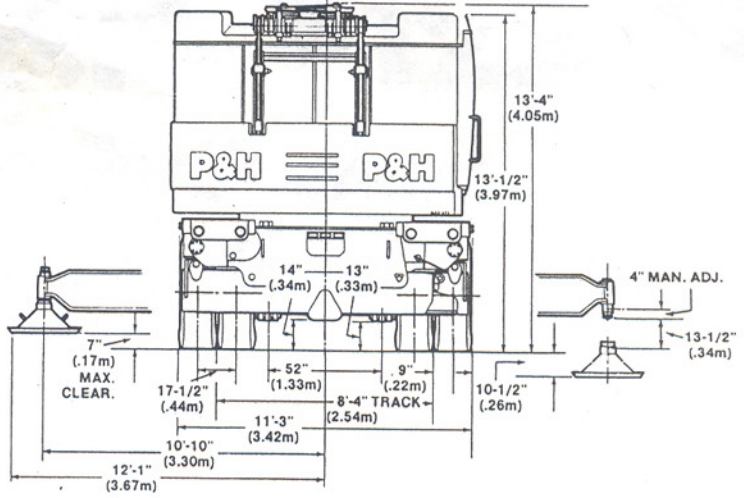
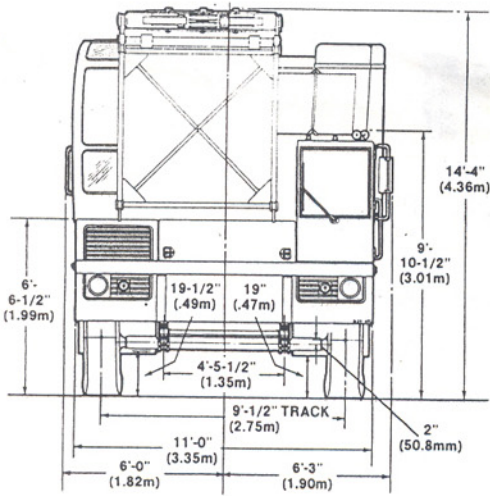
190	JIB LENGTH	20 FT.	30 FT.	40 FT.	50 FT.	60 FT.
200	DEDUCT — LBS.	1,500	1,500	2,000	2,500	3,000

WARNING: When operating crane "without outriggers" loads lifted over rear and swung over side, will increase in radius due to tire deflection. This increase in radius must be compensated for by raising boom, or machine may tip over.

2 rated crane loads in pounds — main boom — without outriggers

Oper. Rad. Ft.	Angle	50 Ft. Boom		Angle	60 Ft. Boom		Angle	70 Ft. Boom		Angle	80 Ft. Boom		Angle	90 Ft. Boom		Angle	100 Ft. Boom	
		Over Side	Over Rear		Over Side	Over Rear		Over Side	Over Rear		Over Side	Over Rear		Over Side	Over Rear			
12	81		75,228															
15	78		63,984	80		63,234												
20	72	41,652	50,844	75	40,994	50,156	77	40,643	49,787									
25	66	33,689	41,876	70	33,068	41,229	73	32,738	40,884	75	32,384	40,516	77	31,763	39,869	78	31,392	39,485
30	60	28,066	34,300	65	27,471	34,764	69	27,156	34,437	71	26,817	34,085	73	26,222	33,468	75	25,863	33,098
35	53	23,885	28,100	59	23,309	28,800	64	23,005	28,700	67	22,677	28,500	70	22,102	28,200	72	21,751	27,900
40	45	20,654	23,700	54	20,094	24,400	59	19,798	24,200	64	19,478	24,000	67	18,918	23,700	69	18,575	23,400
45	36	18,083	20,200	47	17,535	20,900	55	17,246	20,800	59	16,933	20,600	63	16,385	20,300	66	16,047	20,000
50	24	15,700	17,600	40	15,451	18,300	49	15,167	18,100	55	14,860	17,900	60	14,321	17,600	63	13,988	17,300
60				22	12,260	14,300	37	11,985	14,100	46	11,686	13,900	52	11,162	13,600	56	10,836	13,300
70							20	9,664	11,400	35	9,371	11,100	43	8,858	10,800	49	8,536	10,500
80										19	7,608	9,100	32	7,103	8,800	41	6,785	8,500
90													17	5,722	7,250	31	5,407	6,900
100																17	4,295	5,700

WHEN USING BOOMS WITH A 25 FT. TIP SECTION, 60 FT. TO 130 FT. LONG, DEDUCT 1,000 LBS.



NOTE: All designs, specifications and components of the equipment described above are subject to change at the manufacturer's sole discretion at any time without advance notice. Data published herein is informational in nature and shall not be construed to warrant suitability of the machine for any particular purpose as performance may vary with the conditions encountered. The only warranty applicable is our standard written warranty for this machine. Manufactured and sold in conformance with U. S. Department of Commerce Commercial Standard CS-90-58.



Address inquiries to: